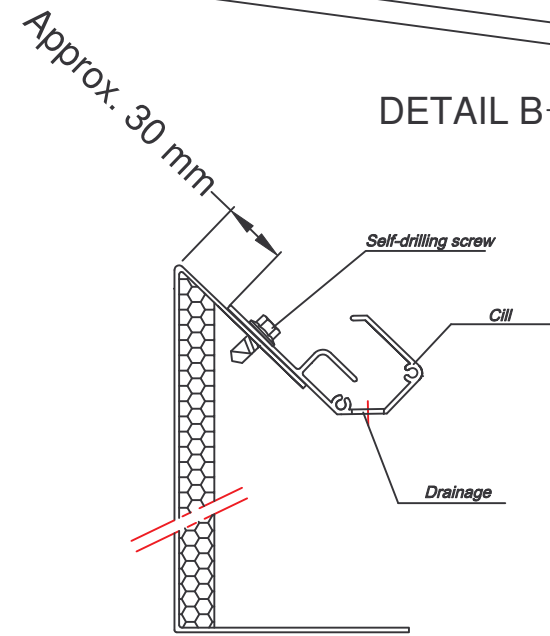
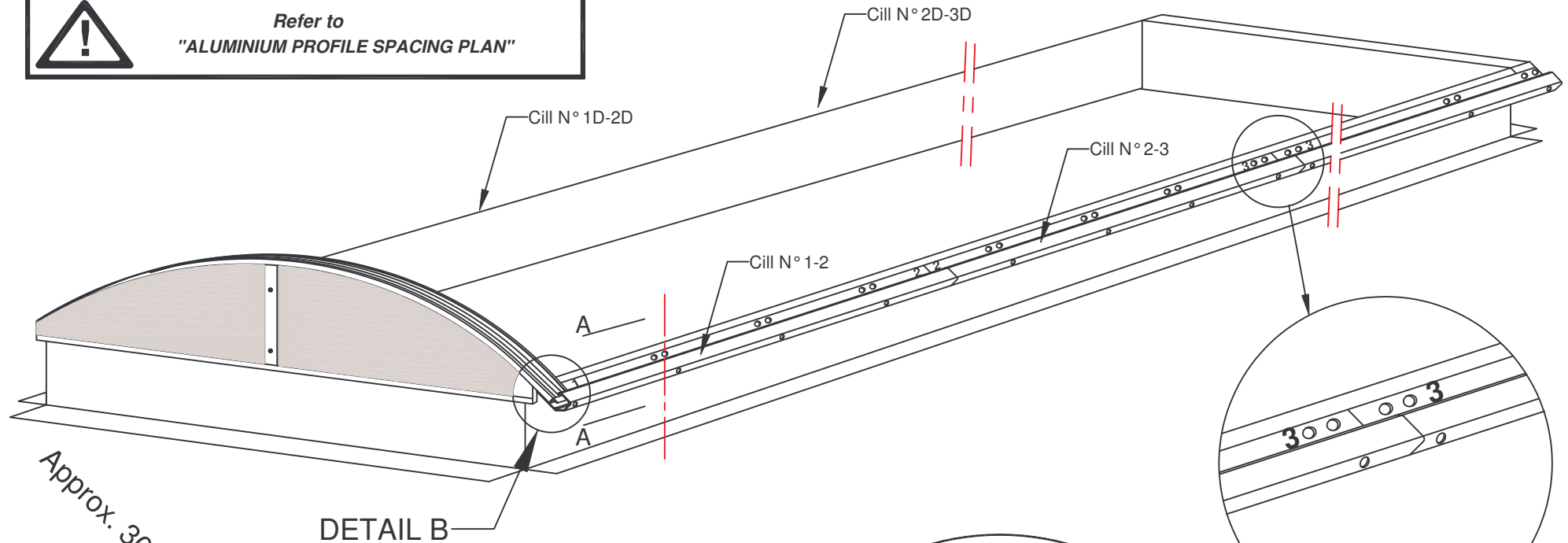
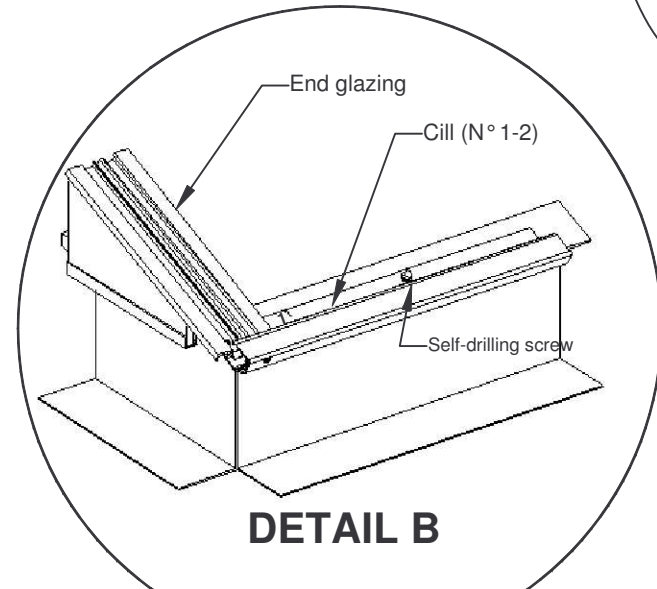

 Refer to  
"ALUMINIUM PROFILE SPACING PLAN"

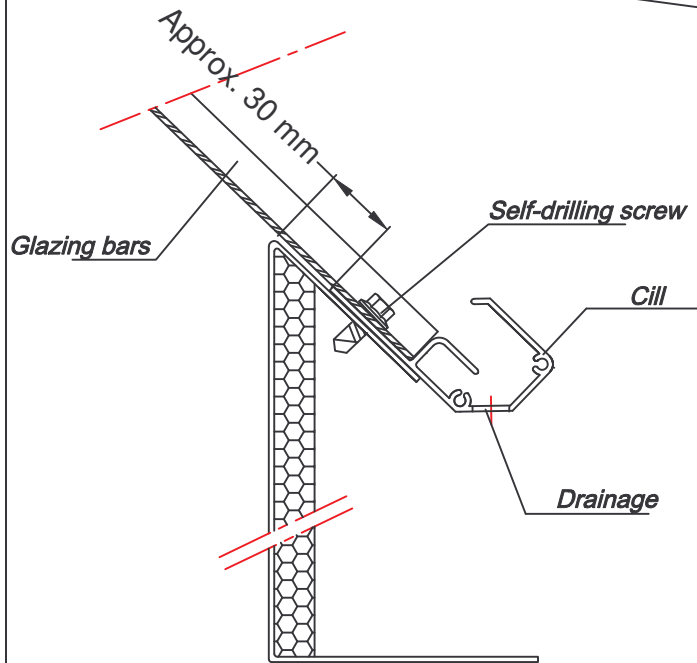
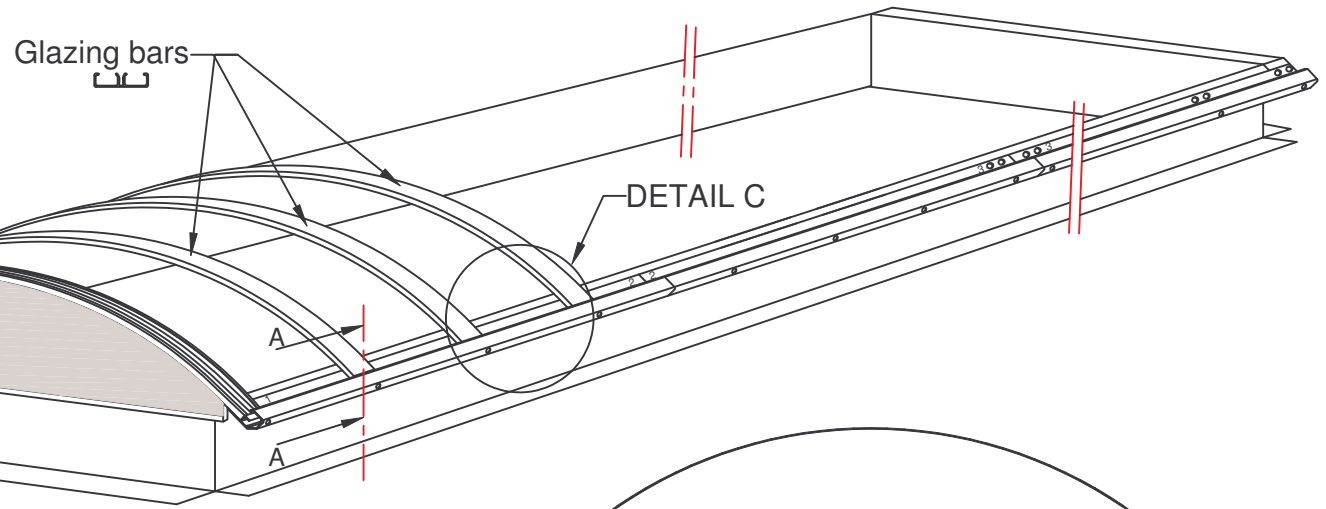


**Cross-Section A-A**

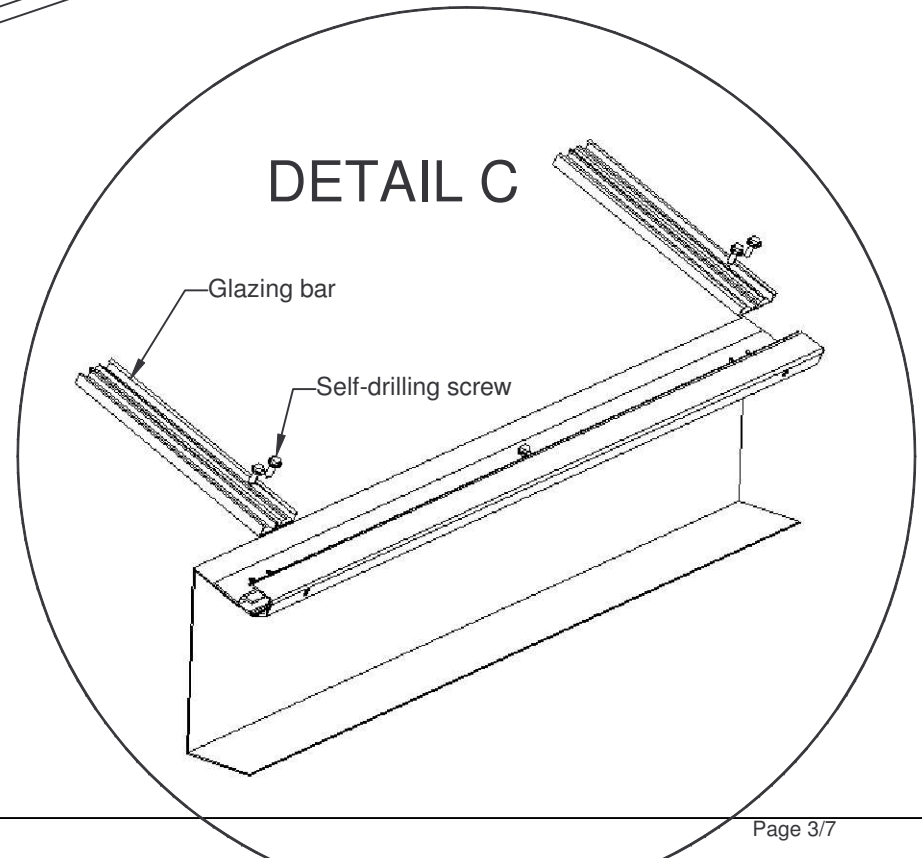



**DETAIL B**

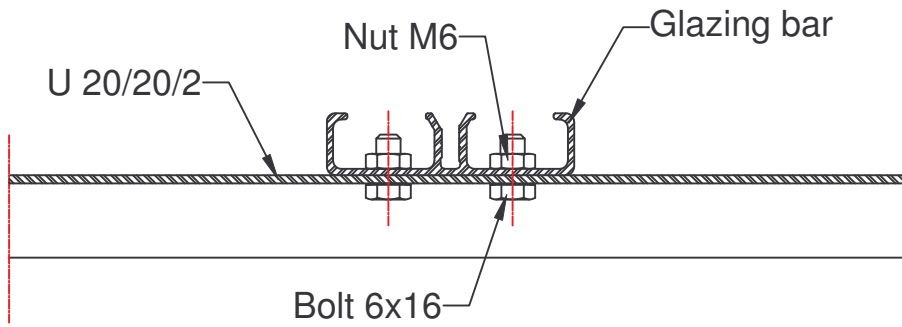
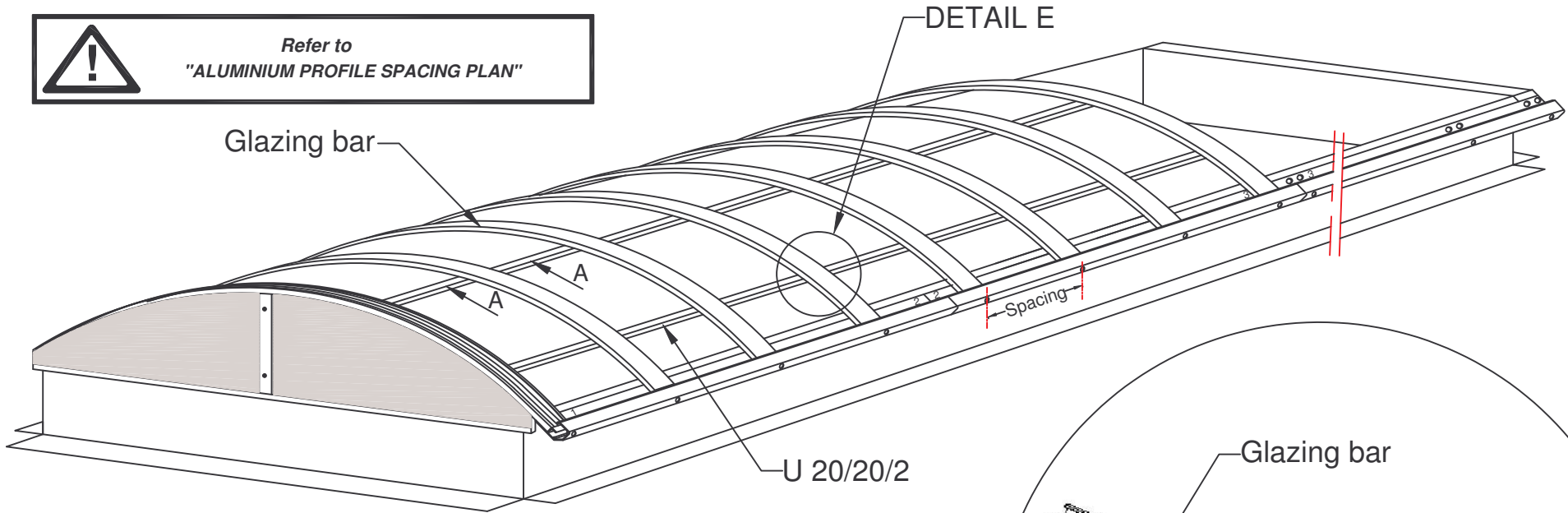
 Refer to  
"ALUMINIUM PROFILE SPACING PLAN"



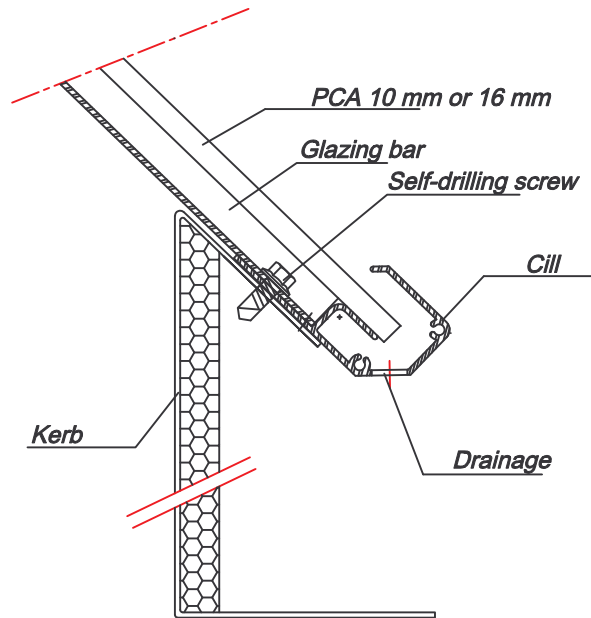
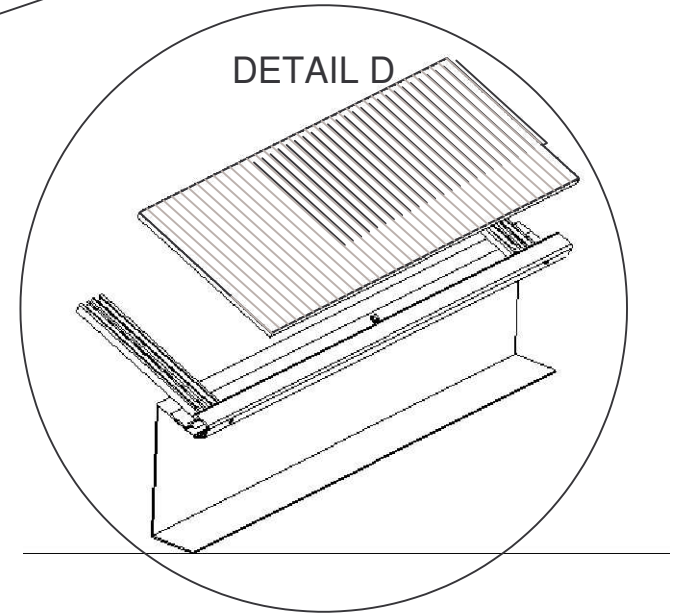
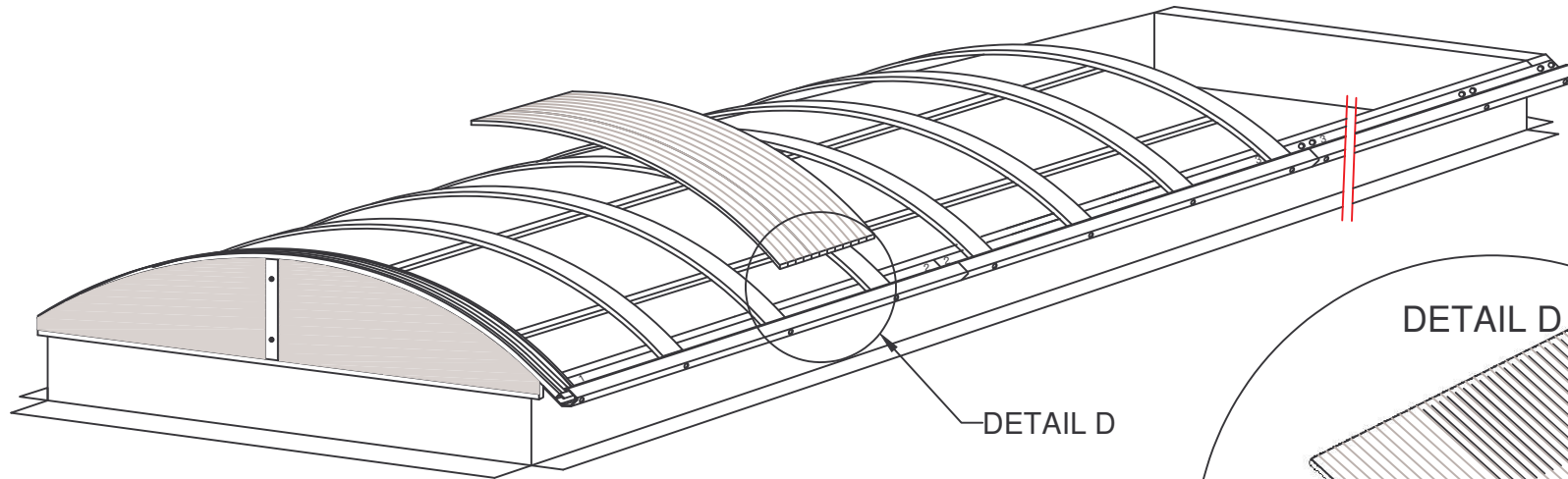
## Cross-Section A-A



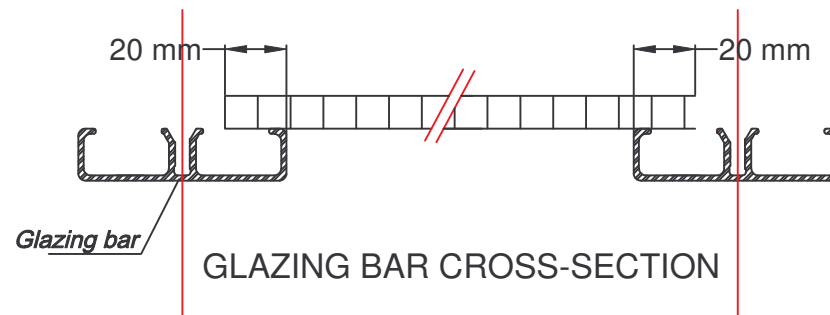
 Refer to "ALUMINIUM PROFILE SPACING PLAN"

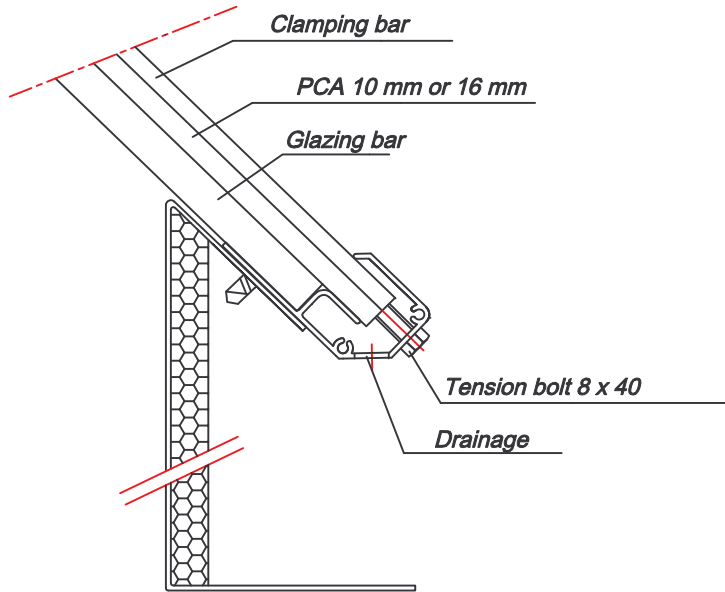
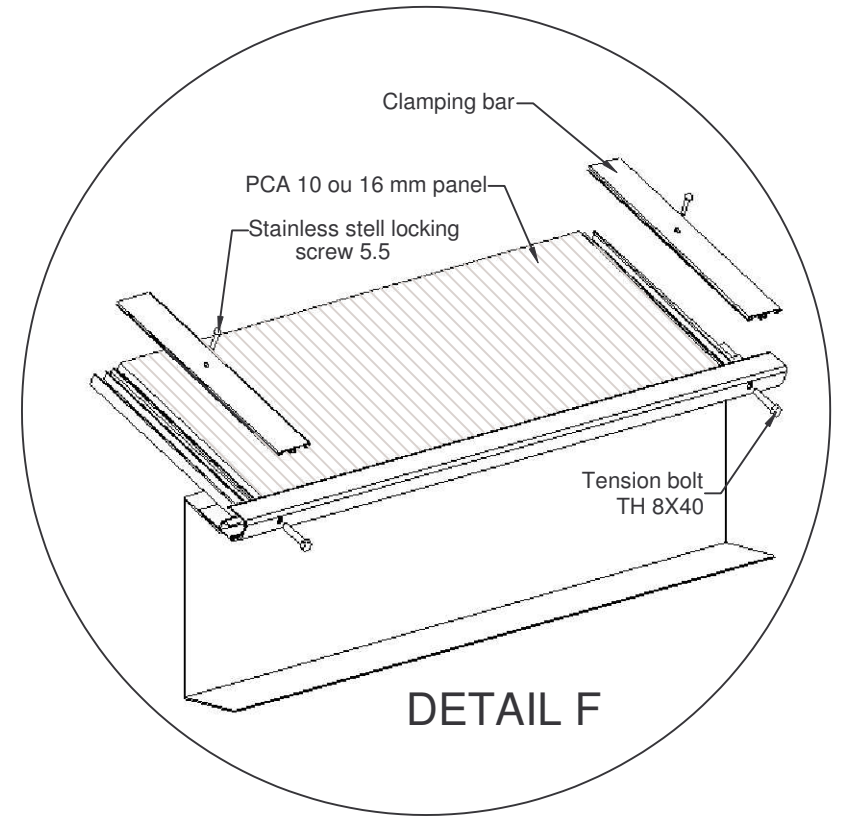
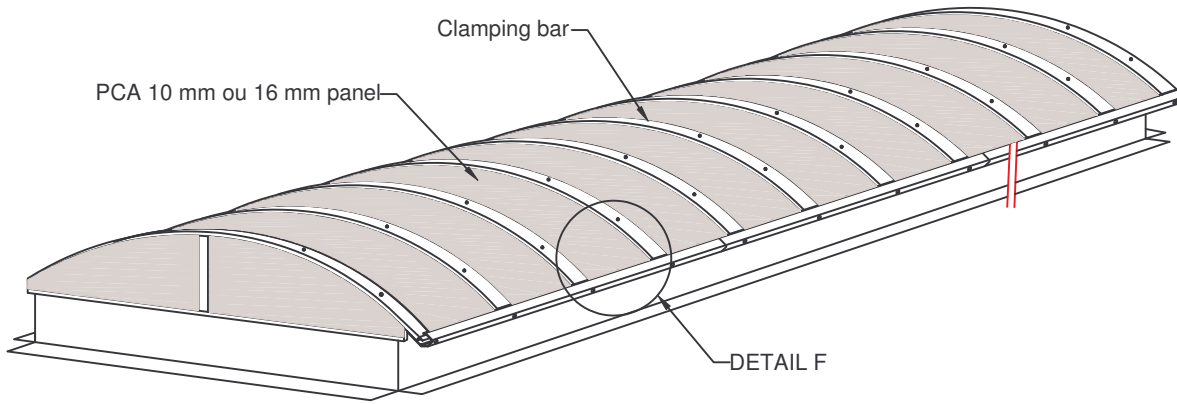


**Cross-Section A-A**

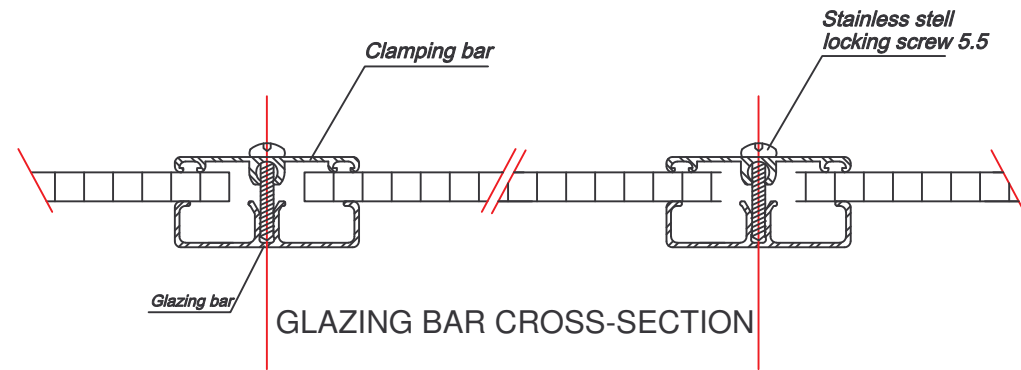


**Cill Cross-Section A-A**





CILL CROSS-SECTION



GLAZING BAR CROSS-SECTION



Impasse des Herbues  
Z.A de l'Essart  
21600 OUGES Tel : 03.80.79.25.50

# VOUTE ARCADE

# Installation of EPDM Rubber Joints

Diagram :  
**7**

