

OPTIONAL FUNCTIONS

GLAZING

In order to satisfy the requirements of the architects and of the different regulations, SKYDÔME® proposes the customers a large choice of glazing.

- Aluminium covers 10-20-60.
- Different types of structured polycarbonates.
- Domes with flat sides.
- Domes with fallen sides.
- Glazing performances.

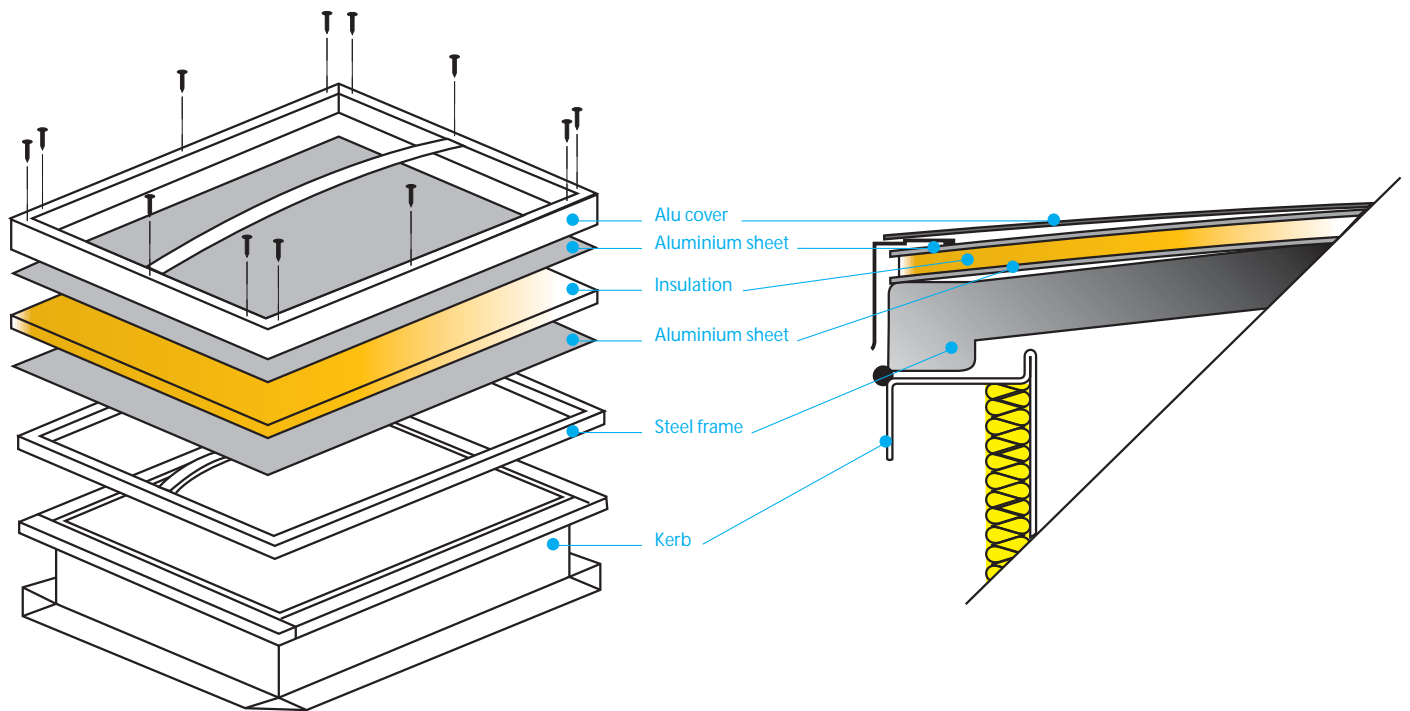
Principle of the aluminium covers 10 and 20

The aluminium cover exists in 2 versions:

- aluminium cover 10: aluminium cover with a 10mm insulation;
- aluminium cover 20: aluminium cover with a 20mm insulation.

The cover is composed of:

- a lower aluminium sheet;
- an insulation width 10 mm or 20 mm;
- an upper aluminium sheet.



Thanks to its design, the aluminium cover has:

- a **fire classification M0**;
- a **light transmission coefficient of 0%**;
- a **thermal coefficient of 3,1 W/m² °C for the aluminium cover 10**;
- a **thermal coefficient of 0,98 W/m² °C for the aluminium cover 20**.

It is always sold assembled on the unit.



Principle of the aluminium cover 60

The aluminium cover 60 is a cover in diamond point form.

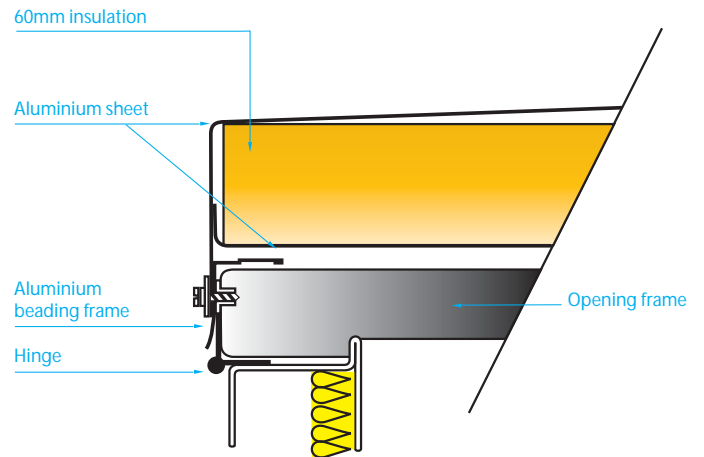
The aluminium cover is composed of:

- a lower aluminium sheet;
- an insulation width 60mm;
- an upper aluminium sheet manufactured in diamond point.

Thanks to its design, the aluminium cover has:

- a **fire classification M0**;
- a **thermal transmission of 0,6 W/m² °C**;
- a **light transmission coefficient of 0%**.

It is sold separately to the unit and is assembled on the building site.



2 STRUCTURED POLYCARBONATE

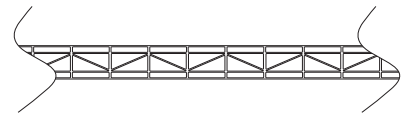
Venetian



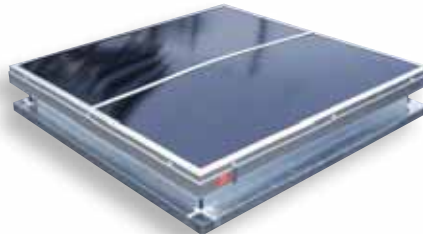
4 Wall



K-Wall

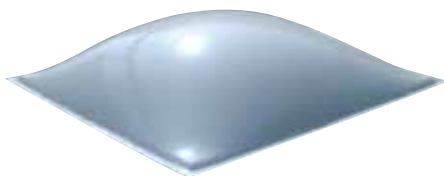


PCA Black



3 DOMES FLAT SIDES

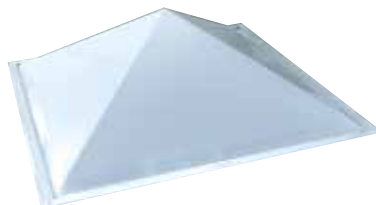
Square



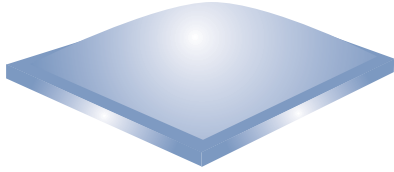
Rectangular



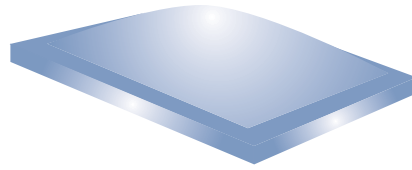
Pyramid



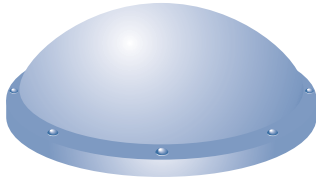
Square



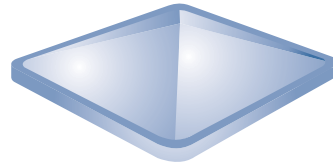
Rectangular



Round



Pyramid



For maximum dimensions and possibility limits, please refer to the tariff or contact us.

GLAZING	THERMAL TRANSMISSION U (W/m ² ·°C)	LIGHT TRANSMISSION (%)	FIRE CLASSIFICATION	ACOUSTIC PERFORMANCE (db (A))
Simple Dome PMMA (Polymetacrylate methyle) – Opal	5,2	82	M4	12
Double Domes PMMA (Polymetacrylate methyle)	3,1	76	M4	19
10 mm structured polycarbonate – Clear	3,1	85	M2 and/or M1	17
10 mm structured polycarbonate – Opal	3,1	62	M2 and/or M1	17
10 mm structured polycarbonate – Venetian	3,1	33	M2 and/or M1	17
10 mm structured polycarbonate – Comfort	3,1	55	M2 and/or M1	17
10 mm structured polycarbonate – 4-walled opal	2,5	55	M2 and/or M1	17
16 mm structured polycarbonate – Clear	2,3	79	M2 and/or M1	21
16 mm structured polycarbonate – Opal	2,3	57	M2 and/or M1	21
16 mm structured polycarbonate – K-wall clear	2	72	M2 and/or M1	21
16 mm structured polycarbonate – K-wall opal	2,3	57	M2 and/or M1	21
16 mm structured polycarbonate – K-wall Comfort	2,3	50	M2 and/or M1	21
10 mm structured polycarbonate – Black	3,1	0	M2 and/or M1	17
Aluminium cover 10	3,1	0	M0	17
Aluminium cover 20	0,98	0	M0	
Aluminium cover 30	0,6	0	M0	24